



An inspection certificate is supplied as standard. Refer to page U-11 for details.

Technical Data

- Display: 6-digit LCD, sign, and analog bar with 2-color backlight
- Power supply: 9 VDC, 1.2 A (via AC adapter) **06AGC585***1
- *1 To denote your AC power cable add the following suffixes to the order No.: **JA** for UL/CSA and PSE, **D** for CEE, **DC** for CCC, **E** for BS, **K** for KC
- Lifting lever: **137693**

Functions

- Max/Min value hold
- Runout measurement (MAX - MIN)
- Zero-setting (INC system)
- Presetting (ABS system)
- Direction switching
- Tolerance judgment
- Digital display switching (0.01 mm ↔ 0.001 mm)
- Analog resolution selection (±0.02, ±0.04, ±0.1, ±0.2, ±0.4 mm)
- Function Lock
- Data output
- Error alarm display

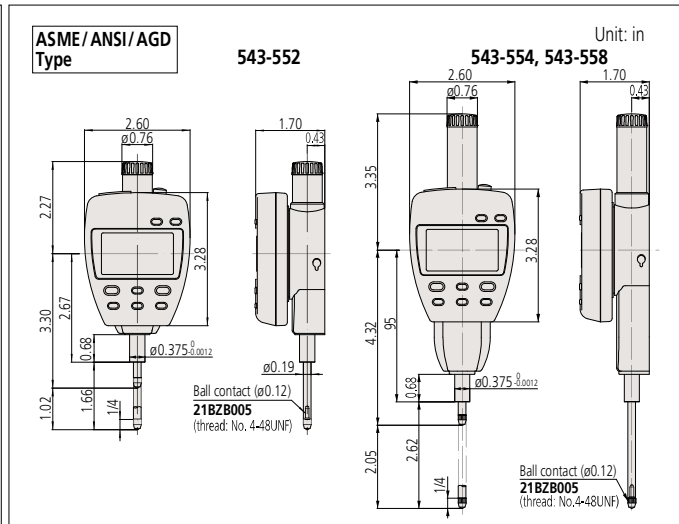
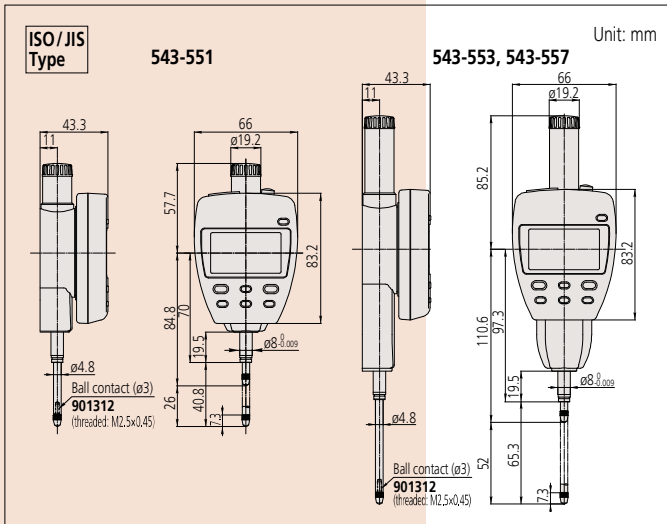
Optional Accessories

- Lifting cable: **21JZA295** (stroke 25.4 mm)
- Lug-on-center back: **101040** (ISO/JIS type) **101306** (ASME/ANSI/AGD type)
- Auxiliary spindle spring: **02ACA571** (25.4 mm/1 inch models) **02ACA773** (50.8 mm/2 inch models)
- SPC cable: **936937** (1 m) **965014** (2 m)

(Refer to pages A-27 to A-29 for details.)
• USB Input Tool Direct (2 m): **06AFM380D**
Note: Please separately purchase **USB-ITPAK** since there is no data output switch on the measurement instrument. (Refer to pages A-13 and A-22 to A-24 for details.)

- Input Tool Series **IT-016U** (USB Keyboard Signal Conversion Type): **264-016-10** **IT-007R** (RS-232C Communication Conversion Type): **264-007** (Refer to page A-14 for details.)
- Connecting Cables for **U-WAVE-T** (160 mm): **02AZD790D** For foot switch: **02AZE140D** (Refer to pages A-19 to A-21 for details.)
- Contact points for Mitutoyo's dial indicators*3
- Interchangeable backs for SERIES 2 models*4
- Digimatic Mini-Processor **DP-1VA** **LOGGER: 264-505**
- Measuring stands*5
- *3 Refer to pages F-57 to F-60 for details.
- *4 Refer to page F-61 for details.
- *5 Refer to pages F-84 to F-91 for details.

DIMENSIONS



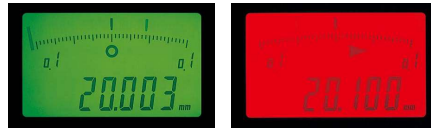
Digimatic Indicators

Comparison measuring instruments which ensure high quality, high accuracy and reliability.

ABSOLUTE Digimatic Indicator ID-F SERIES 543 — with Back-lit LCD Screen

- Multi-functional.
- GO/±NG judgment function: If a judgment result shows an out of tolerance condition, the display backlighting changes from green to red.

Green indication for GO judgment Red indication for ±NG judgment



- An analog bar indicator has been integrated to make upper/lower limit and turnover point reading more comfortable.
- The ABS (absolute) scale restores the last origin position*1 automatically when the indicator is turned on, and realizes high reliability by eliminating over-speed errors.
- Easy-to-read large LCD readout with the character height of 8.5 mm.

*1 Regarding origin setting, refer to "Origin Setting of Digimatic Indicators" on page F-25.

- External power supply type: an AC adapter is a standard accessory. Does not require battery replacement.
- The resolution can be switched between 0.001 mm/0.01 mm (or 0.001 in/0.0005 in/0.0001 in/0.00005 in).
- Equipped with a data output port that enables incorporation into measurement networking and statistical process control systems. (Refer to page A-3)

Multi-functional model



SPECIFICATIONS

Order No.*2	Range (mm)	Resolution (mm)	Maximum permissible error (mm)			Measuring force MPL (N)	Net mass (g)
			MPE _E *3	Hysteresis MPE _H	Repeatability MPE _R		
543-551	25.4	0.001 / 0.01	0.003	0.002	0.002	1.8 or less	Approx. 240
543-557	50.8	0.01	0.003				
543-553	50.8	(selectable)	0.006			2.3 or less	Approx. 330

ISO/JIS type ASME/ANSI/AGD type

Order No.*2	Range	Resolution	Maximum permissible error			Measuring force MPL (N)	Net mass (g)
			MPE _E *3	Hysteresis MPE _H	Repeatability MPE _R		
543-552	1 in / 25.4 mm	0.00005 / 0.0001 / 0.0005 / 0.001 in, 0.001 / 0.01 mm	±0.0001 in / 0.003 mm	0.00010 in / 0.002 mm	0.00010 in / 0.002 mm	1.8 or less	Approx. 240
543-558	2 in / 50.8 mm	0.001 in, 0.001 / 0.01 mm	±0.0001 in / 0.003 mm				
543-554	2 in / 50.8 mm	0.01 mm (selectable)	±0.00025 in / 0.006 mm			2.3 or less	Approx. 330

*2 To denote your AC power cable add the following suffixes to the order No.: **A** for UL/CSA, **D** for CEE, **DC** for CCC, **E** for BS, **K** for KC. **No suffix** is required for JIS/100 V

*3 Error of indication for the total measuring range