



# XYZAX mju NEX J

Dedicated catalog is available.

**Has achieved a high accuracy which cannot be provided by conventional manual machines!  
Joystick CMM allowing for highly accurate manual measurement by easy operation**



XYZAX mju NEX J-S2\*



\*Both for Japan and for outside of Japan are PC rack specifications.

## Easy but precise measurement provided by the joystick machine

### New joystick operation box allows for precise measurement

A newly-developed operation box with compact hand-held size and double -thumb stick for easy and free operation adopted.

In the conventional manual operation, it is difficult to make precise measurement due to measurement point misalignment, but with XYZAX mju NEX J, joystick operation allows for easy positioning and precise measurement.



Simple operation in quest to provide ease of use

Precise measurement with auto-probing


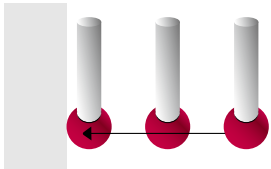
### Excellent features of XYZAX mju NEX inherited — Compact/Energy conservation/High environmental resistance —

XYZAX mju NEX has been well-received since its release. The excellent XYZAX mju NEX features are inherited for XYZAX mju NEX J, such as the smallest footprint in its class, significant reduction of air and power consumption by the hybrid guide structure equipped with high-rigidity linear guides in X, Y (right) and Z axes and air bearings in Y axis (left), high environmental adaptability by installing dustproof covers in X and Y axes and Z axis scale in the Z axis column.

## The auto-probing function allowing for highly accurate manual measurement can only be provided by the joystick machine, not by any manual or CNC machines


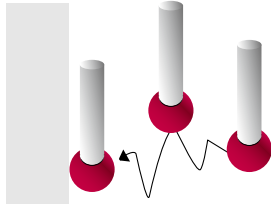
The auto-probing function provides probing at a constant measurement speed and force once the joystick is leaned. Measurement point misalignment and variations in measurement speed and force often occurred in the conventional manual measurement made by holding a probe in one hand are reduced, and accurate and stable measurement is possible.

**Joystick machine**

Once the auto-probing determines positioning and the joystick is leaned, stable probing at a constant measurement speed and force becomes possible.

**Manual machine (conventional manual machine)**

Variations occur in measurement speed and force, and positioning at the time of probing.

## Upgrading to CNC is possible on site

Upgrading to CNC is possible by replacing the operation box and controller and upgrading the software on site. By upgrading to CNC, it becomes possible to efficiently support the creation of measurement plan and automatic measurement when mass production of future workpieces and inspection of workpieces with the large amount of lots are required. Of course, it is economical as there is no need to buy a new CNC.

### ● Conventional manual CMM



### ● Joystick CMM XYZAX mju NEX J



Specifications

Model			XYZAX mju NEX J		
			5/5/4	5/8/4	
Measuring range	X-axis	(mm)	510		
	Y-axis	(mm)	460	760	
	Z-axis	(mm)	410		
Length measuring method			Linear scale system		
Minimum unit			(μm) 0.01		
Measurement accuracy*1	PH1+TP20	Maximum permissible error of length measurement E0, MPE	(μm) 2.9 + L/250		
Guide system of each axis			Linear guide with air bearings		
Table	Material		Gabbro		
	Effective width (X)	(mm)	700		
	Effective depth (Y)	(mm)	900	1150	
	Height from floor	(mm)	725		
	Flatness		Class JIS 1		
	Fixing screw for object to be measured		M10 internal screw		
Workpiece	Max. height	(mm)	520		
	Max. mass	(kg)	200		
Drive speed	Max. acceleration/deceleration	(mm/sec <sup>2</sup> )	Acceleration: 606, Deceleration: 1039		
	Variable speed range	(mm/sec)	manual mode: 0.5 to 121		
	Measuring speed	(mm/sec)	manual mode: 5		
Accuracy guarantee environmental temperature conditions	Environment temperature	(°C)	18 to 22		
	Temperature changes	(°C/hour)	1.0		
		(°C/day)	2.0		
	Temperature gradient	(°C/m)	1.0		
Air supply	Supply pressure / Working pressure	(MPa)	0.49 to 0.69 / 0.30		
	Consumption	(NL/min)	10		
Power supply	Voltage	(V/%)	AC100 ±10 (grounding required)		
	Power consumption	(W)	550		
External dimensions and mass	External dimensions	Width	(mm)	1080	
		Depth	(mm)	1805 (including data processing unit)	
			(mm)	1052	1332
	Height	(mm)	1920 (including data processing unit)		2200 (including data processing unit)
		(mm)	2170		
	Body mass	(kg)	620 (including data processing unit)	880 (including data processing unit)	
	Minimum ceiling height	(mm)	2320		
Machine height at transport*2	(mm)	2112			

\*1 The testing and evaluation methods for E0, MPE conform to JIS B 7440-2: 2013 (ISO 10360-2: 2009).  
 \*TP20...LF module and the standard stylus  
 Standard stylus specification: Tip is Φ4 mm, L20 mm, Renishaw made custom-order stylus

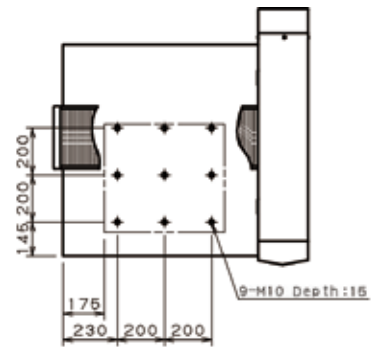
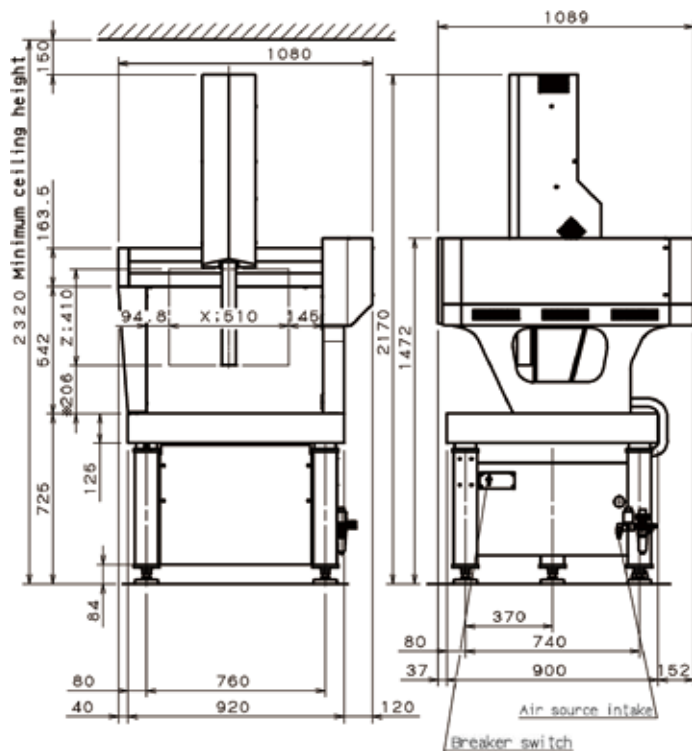
\*2 Be sure to check the height of passageways, and, in particular, the height of doors and other openings to be used when the machine is delivered. The height of openings needs to be the specified each machine height at transport plus about 200 mm to allow for the dollies used to move the machines.

■ Option (Sold separately)

- A4 ink jet printer
- Modules
- Extensions
- Stylus
- Optional software

## External View and Dimensions XYZAX mju NEX J

### ■XYZAX mju NEX J 5/5/4



### ■XYZAX mju NEX J 5/8/4

